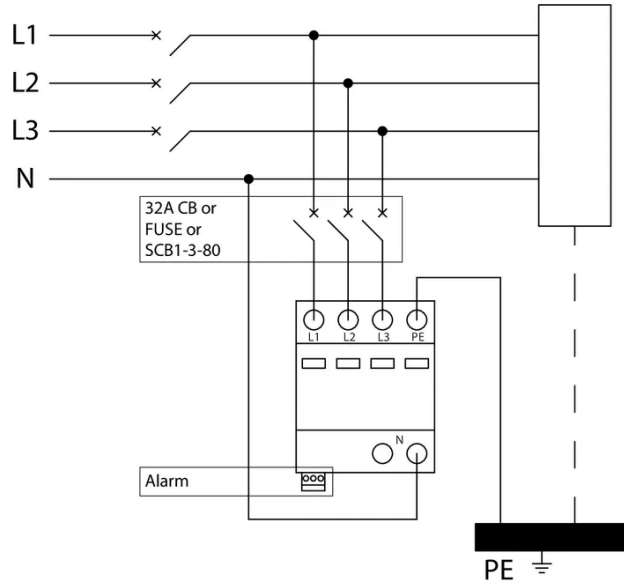


Install Manual

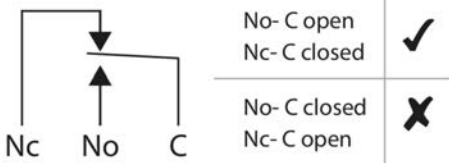
NSP3-50-275-N



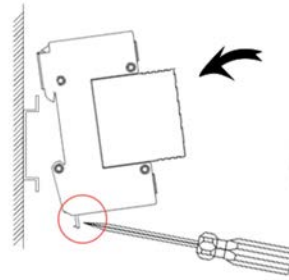
Installation



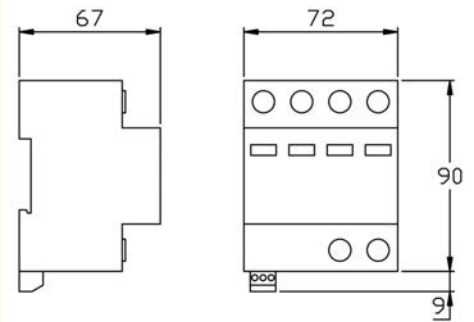
Alarm



Mounting



Dimensions



Electrical Specifications

Connection type		Shunt
Location		Indoor
Nominal voltage	U_0	230VAC

Mechanical Specifications

Minimum operating temperature		-40°C
Maximum operating temperature		80°C
Minimum operating humidity		5%
Maximum operating humidity		95%
Mounting method		TS35 DIN Rail
Environmental rating		IP20
Terminal capacity - power		6mm ²